



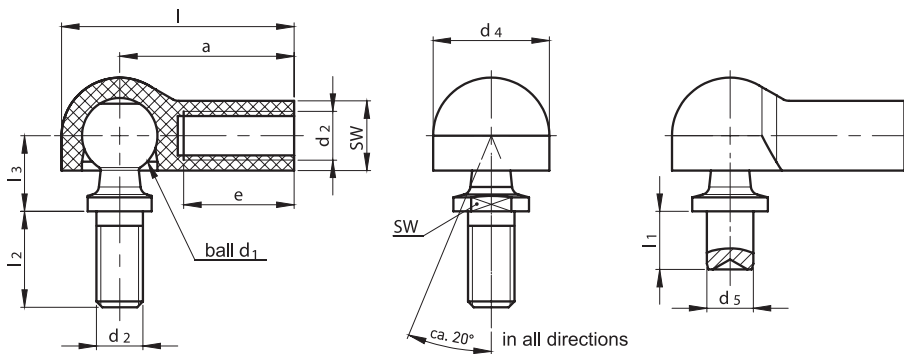
angle joints DIN 71802 form B / C with plastic version ball cups

DIN 71802 form B with rivet pin without safety fastening

order example: angle joints DIN 71802 B 13 x 5 with plastic ball cups Mat. POM

DIN 71802 form C with threaded pin without safety fastening

order example: angle joints DIN 71802 C 10 - M 6 with plastic ball cups Mat. POM



materials

ball cups

- POM

ball pins

- free-cutting steel 11SMnPb30+C or 46SPb20+C
- stainless steel 1.4305
- stainless steel 1.4571
- (dimensions of ball pins acc. DIN 71803, ball not hardened)

surface ball pins

- unplated
- zinc plated

operation range

- -40° to 80°C

ball d ₁	pin length l ₁ ±0,2	thread d ₂	a ±0,5	d ₄ ±0,3	d ₅ h11	e min.	l ±0,5	l ₂ ±0,5	l ₃ ±0,3	SW ball cup	weight approx. kg per 1000 pcs.	
											form C	form B
6	3,5	M 4	17	10	4	11	22	8,0	8,5	7	-	2,93
8	4,0	M 5	22	14	5	14	29	10,2	9,0	8	7,05	6,35
	7,5											6,85
10	4,5	M 6	25	16	6	16	33	12,5	11,0	9	12,22	10,82
	8,0											11,52
13	5,0	M 8	30	20	8	19	40	16,5	13,0	12	24,50	20,80
	10,0											22,60

Angle joints with hexagon nut DIN 934 loose, or mounted if requested.

optional features

- left-hand threaded ball cups; indication by LH; e.g. C 10 - M 6 LH
- further special options available on request

