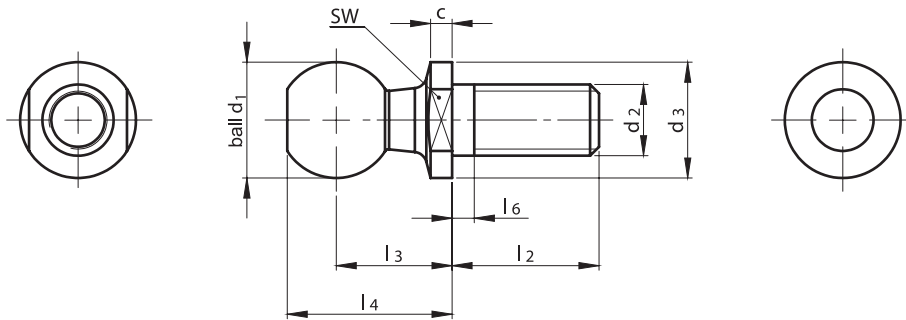




ball pins DIN 71803 form C with threaded pin

DIN 71803 form C with threaded pin

order example: ball pins DIN 71803 C 13 - M 8



materials

- steel with a minimum tensile strength of R_m 600 N/mm²; ball hardened, degree of hardness at least 52 HRC or 550 HV 30, depth of hardening at least 1 mm (no full hardening permitted when $d_1 > 13$ mm)
- stainless steel 1.4305
- stainless steel 1.4571

surface

- unplated
- zinc plated

ball d_1 h9	thread d_2	c +0,4	d_3 h14	l_2 $\pm 0,3$	l_3 $\pm 0,3$	l_4 $\pm 0,3$	l_6 max.	SW h14	weight approx. kg per 1000 pcs.
6	M 4	2,0	6	8,0	8,5	11,2	3,0	5	2,10
8	M 5	2,0	8	10,2	9,0	12,5	4,0	7	4,55
10	M 6	2,2	10	12,5	11,0	15,5	4,0	8	8,50
13	M 8	2,4	13	16,5	13,0	18,5	5,3	11	17,70
16	M 10 M 12	2,7	16	20,0	16,0	23,0	7,3	13	35,10
19	M 14 x 1,5 M 14 M 16	3,0	19	28,0	20,0	28,5	10,8	16	71,20

optional features

- ball pins without spanner flat; indication by A; e.g. A 16 - M 10
- ball pins with unhardened ball; indication by ball unhardened; e.g. C 13 - M 8 ball unhardened
- ball pins with special length
- ball pins acc. to drawing or at the choice of the manufacturer
- further special options available on request

