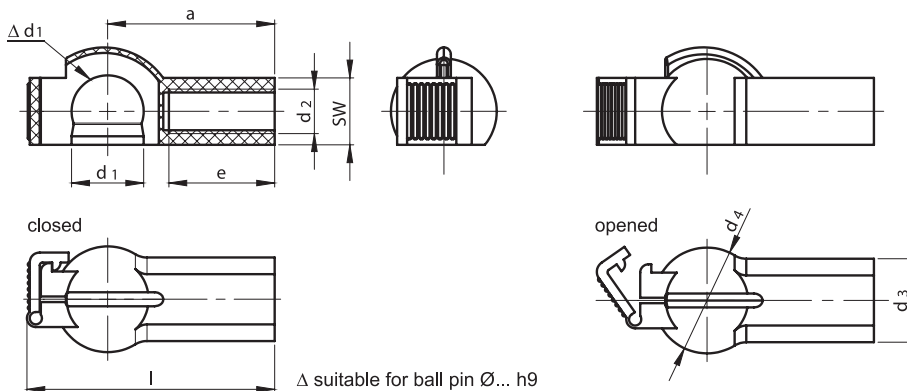




ball cups DIN 71805 form B plastic version

DIN 71805 form B with safety fastening

order example: ball cups DIN 71805 form B plastic version B 10 - M 6 Mat. PA 6.6



materials

- PA 6.6

colour

- black
- special colours available on request

operation range

- -40° to 90°C,
short-time duty up to 120°C

ball d_1 Δ	thread d_2	a $\pm 0,5$	d_3 $\pm 0,3$	d_4 $\pm 0,3$	e min.	l $\pm 0,5$	SW	weight approx. kg per 1000 pcs.
6	M 4	17	8,0	10,0	10	24,5	7	1,10
8	M 5	22	9,5	12,5	12	32,0	8	1,50
10	M 6	25	12,0	15,0	14	36,5	10	3,40
13	M 8	30	15,0	19,0	17	44,5	12	6,70

optional features

- left-hand threaded ball cups; indication by LH; e.g. B 13 - M 8 LH Mat. PA 6.6
- further special options available on request

