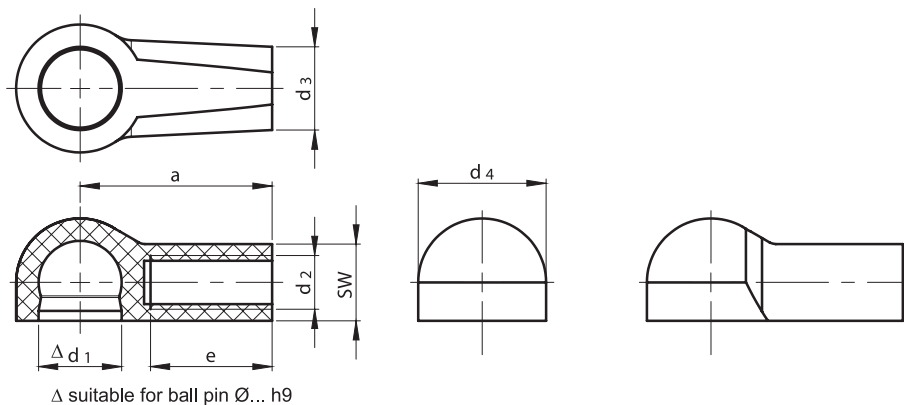




ball cups DIN 71805 form A plastic version

DIN 71805 form A without safety fastening

order example: ball cups DIN 71805 form A plastic version A 13 - M 8 Mat. POM



materials

- POM

colour

- black
- special colours available on request

operation range

- -40° to 80°C

ball d_1 Δ	thread d_2	a $\pm 0,5$	d_3 $\pm 0,3$	d_4 $\pm 0,3$	e min.	l $\pm 0,5$	SW	weight approx. kg per 1000 pcs.
6	M 4	17	8,0	10	11	22	7	1,03
8	M 5	22	9,5	14	14	29	8	2,50
10	M 6	25	10,5	16	16	33	9	3,72
13	M 8	30	13,0	20	19	40	12	6,60

optional features

- left-hand threaded ball cups; indication by LH; e.g. A 10 - M 6 LH Mat. POM
- further special options available on request

