



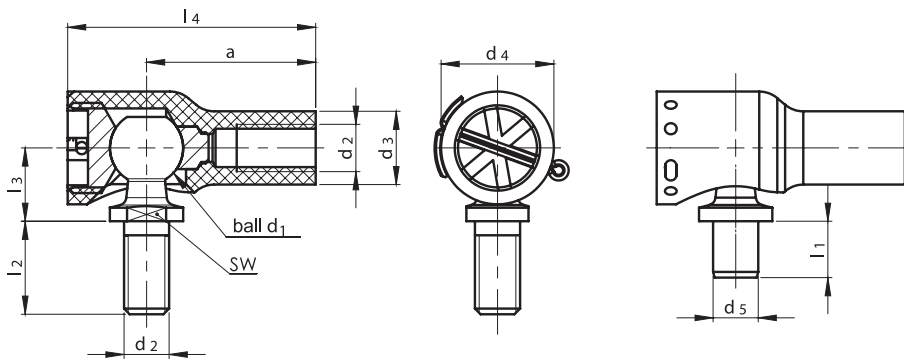
angle joints DIN 71801 form B / C with screw lock

DIN 71801 form B with rivet pin

order example: angle joints DIN 71801 B 16 x 6 - M 10

DIN 71801 form C with threaded pin

order example: angle joints DIN 71801 C 10 - M 6



materials

ball cups

- steel with a minimum tensile strength of R_m 500 N/mm²
- stainless steel 1.4305

ball pins

- steel with a minimum tensile strength of R_m 600 N/mm²; ball hardened, degree of hardness at least 52 HRC or 550 HV 30, depth of hardening at least 1 mm
- stainless steel 1.4305

ball insert and counter-bearing

- free-cutting steel hardened
- stainless steel 1.4305

surface

- unplated
- zinc plated

ball d ₁ h9	thread d ₂	pin length		a ca.	d ₃ ca.	d ₄ ca.	d ₅ h11	l ₂ ±0,3	l ₃ ±0,3	l ₄ ca.	SW h14	weight approx. kg per 1000 pcs.	
		l ₁ ±0,2	l ₄									form C	form B
8	M 5	4,0	22	8	12,5	5	10,2	9	31	7	17,9	15,5	
		7,5	16,0										
10	M 6	4,5	25	10	15,0	6	12,5	11	36	8	30,6	26,7	
		8,0										27,4	
13	M 8	5,0	30	13	20,0	8	16,5	13	44	11	70,8	59,8	
		10,0										61,6	
16	M 10	6,0	35	16	22,0	10	20,0	16	52	13	123,0	102,0	
	M 12	13,0										107,0	
19	M 14 x 1,5	12,0	45	21	28,0	14	28,0	20	65	16	237,0	198,0	
	M 14	18,0										205,0	
	M 16												

Angle joints with hexagon nut DIN 934 loose, or mounted if requested.

optional features

- left-hand threaded ball cups; indication by LH; e.g. C 13 - M 8 LH
- further special options available on request

