



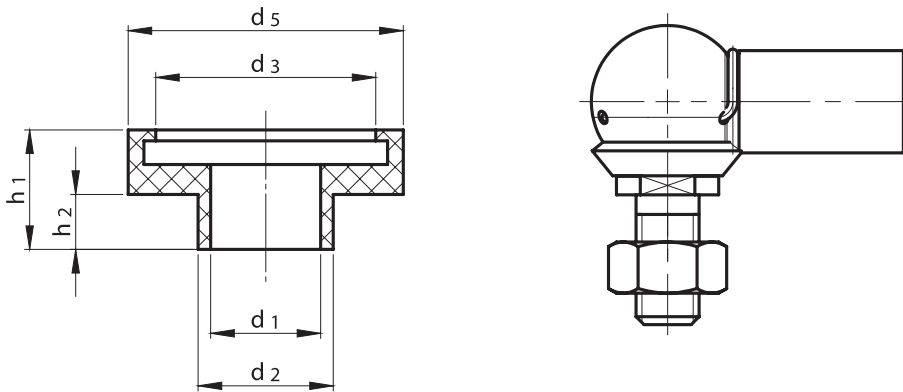
neoprene protection caps for angle joints acc. DIN 71802

protection caps

order example: protection caps DK 13 (protection caps loose)

angle joints with protection caps

order example: angle joints CS 10 - M 6 zinc plated white with protection caps mounted



materials

- neoprene

operation range

- protection caps can be used from -30° to +110° C (up to +140° C for a short time)

size	d ₁	d ₂	d ₃	d ₅	h ₁	h ₂	weight approx. kg per 1000 pcs.
8	4,0	5,4	9,0	11,8	4,6	1,5	0,30
10	5,5	6,9	10,5	13,4	6,6	3,5	0,41
13	7,0	8,6	14,0	17,5	7,6	3,5	0,86
16	9,0	10,5	17,5	22,0	8,6	4,5	1,39
19	11,0	12,6	21,0	25,5	12,7	7,0	2,33

remarks

- Size and dimension of the angle joints DIN 71802 can be delivered with mounted protection caps if requested. Protection caps are also available as a separate component or mounted on ball pins (DIN 71803).
- The protection caps protect angle joints from dirt or water spray and they have been tried and tested in very dirty and dusty environments.

